

Stand-alone RFID Locking System


Esmart Classic :
Smart RFID locker lock system flexibly programmable




Durable and
water resistance


Time based
operation


Long
battery life


Multi user and
multi locker


Custom
setting



Stand-alone RFID Locking System

MAIN FEATURES

I Durable and enhanced design / waterproof

- High impact polycarbonate & waterproof case (IP55)
- Metal die-casting latch

I Easy to fit and retrofit

- Engineered to work on all customary material doors : metal, wood & laminate lockers and caseworks

I Certified by international standards

- FCC, CE, KCC

I Long battery life technology

- Approximately 2 years under normal conditions

I Reinforced security

- Unique security key by 3DES security algorithm

I Flexible and convenient operation

- Easy program change or upgrade using RF card (no wire connection needed)
- Simple integration into other data systems (access control, cashless accounting, guest management etc.)

I Various programming options

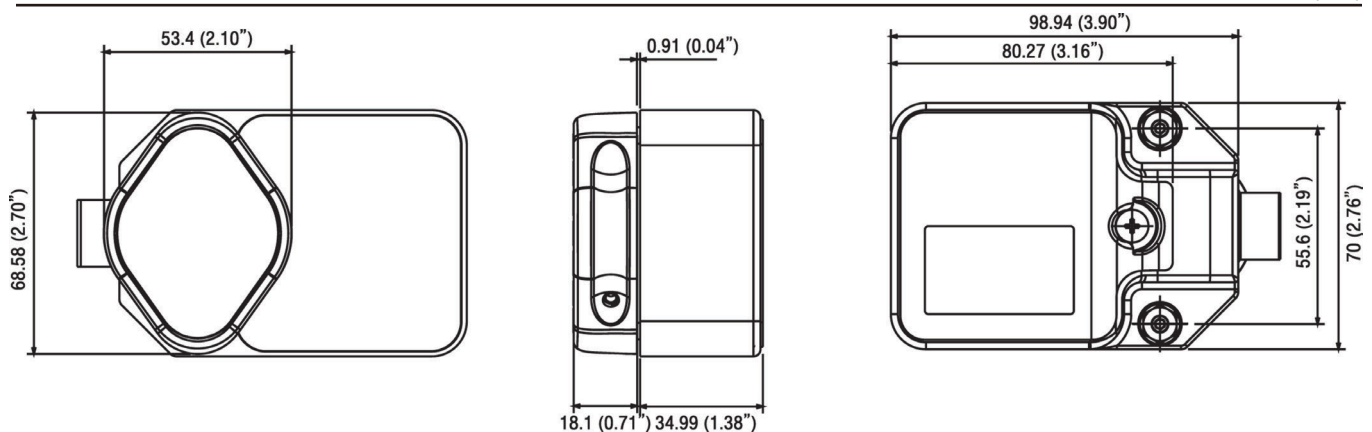
- Locker free or assigned mode
- Single user for multi lockers or multi users per single locker

I Time based operation

- Automatic door open at programmed time
- Set a time limit on user access

DIMENSIONS

Units : mm (inch)



SPECIFICATIONS

Model	ZP100	ZP200R	PT300KR
Start-up	Touch Sensor	Push Button	Keypad
RF protocol	13.56 MHz ISO 14443 Type A/B (Mifare, Des.re, HID – optional and more)		
Power	6V (1.5V AA battery x 4)		
Latch material & type	Aluminum / Spring bolt type		
Dimension (mm)	Front	53.4(W)x68.58(L)x18.1(D)	48(W)x76(L)x26(D)
	Back	99(L)x70(H)x35(D)	
Housing	Polycarbonate		
Operation signal	LED (Green & Red) and Beep		
Door open/close	RF card or any RF carriers		RF card and Pin code
Battery life	2 years (10 times operation/day)		
Safety standard	FCC, CE, KCC		
Case color	Black color is the standard, other colors are available on demand		